

## BEC "PRESTON" RANGE Kit No.0 - SNOWPLOUGH

### This Kit

BEC Models have produced this kit primarily for beginners to tramway modelling. The finished model will represent a prototype tramcar that was employed in the 1930's to clear snow off the tram tracks in London.

The following will instruct as to the assembly of this kit to produce a model of L.C.C./London Transport conduit-only snowplough No.039 or No.043.

### Assembly Instructions

Read these instructions carefully. Check each part against the list, returning any part defective or damaged for free replacement. Remove any flash and check that locating holes are clean.

Read these instructions again, but whilst doing so have a dry run with the parts to familiarise yourself. When satisfied, paint as many of the parts as you can, both inside and out, being very careful NOT to paint any edges/surfaces where glue (UHU, clear Evostick or a modern epoxy resin) is to be applied. Affix gold fleet numbers (not supplied) to dash fronts. Cut glazing strip to suit and fix to saloon sides and bulkheads (after painting) ensuring that the glazing does not protrude into the joins between parts.

Assemble the model carefully step by step following the instructions and drawing.

<u>Part No. of</u>	<u>No.</u>	<u>Parts</u>	<u>Description</u>	<u>Operation</u>
	1	2	Truck sides	Fit to Pt.3.
	3	2	Saloon sides )	Fit together and hold by elastic band whilst allowing to set upside down on underneath of Pt.16.
	4	2	Bulkheads )	
	5	2	Dash fronts	
	8	2	Controllers	Fit to Pts.5 and 6.
	-	x	Brake standards	Cut wire to length and bend as shown in sketch. Fit to Pts.5.
	6	2	Platforms	Locate on Pts.1,3 and 4.
	38	1	Driver	Fit on Pt.6 as required.
	16	1	Roof	Fit on Pts.3 and 4.
	--	1	Mechanism	Fit by clipping into slots of Pts.6. Position so that axles line-up with axle boxes and drill 1/16th" hole in Pt.6 through chassis fixing hole. Secure with self-tapping screw. Test on track.
	50	2	Snowplough front )	Fit together and locate on Pts.6.
	50A	2	Snowplough sides )	

x - one length of wire is included in this kit.

Check that no unpainted surfaces exist; if so paint as appropriate. The car is now ready for service and we hope you have enjoyed constructing this model. Now is the time to decide on the next car to be modelled from kits in the BEC range.

### BEC Kit No.0 - Livery

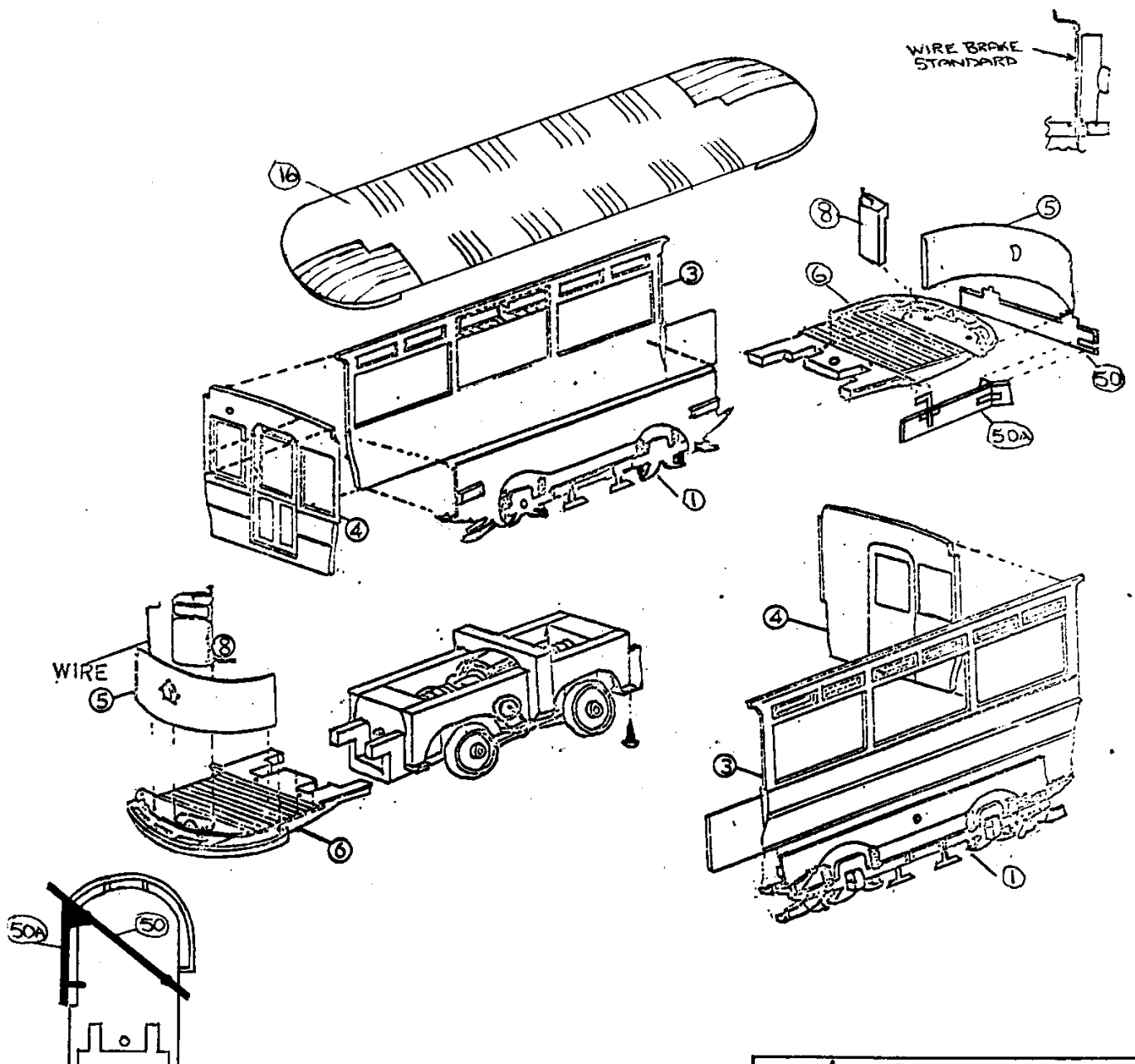
For simplicity in colour matching paints the Humbrol reference numbers are shown where appropriate.

Maroon	HRL44	Saloon and bulkhead upper rocker panels. Bulkhead door. Cantrail and rearlamp holders. Outside of dashes. Bulkhead top panel (over door).
Cream	R103	Saloon and bulkhead window frames and lower rocker panels.
White	22	Roof. Ceiling. Lamp lenses. Snowplough front and sides.
Wood	143	Saloon and bulkhead interior.
Oxide Brown	110	Platform and sides. Inside of dashes. Truck sides.
Black	HRL45	Controllers. Collision fenders.
Gold		Controller tops and handles. Brake standard handles.

ACKNOWLEDGEMENTS We would like to express our appreciation of the help given by Mr. A.B.Swain, Mr. C.L.Withey, The Tramway & Light Railway Society, The Light Railway Transport League and to Mr. D.W.K.Jones, Effingham House, Hartswood, Reigate, Surrey and "Resipolitan Photographs", 1 Lock View, Bingley, Yorkshire for supplying the photographs of Nos.043 and 039 respectively.

### PARTS LIST

- 1 TRUCK SIDES
- 3 SALOON SIDES
- 4 BULKHEADS
- 5 DASH FRONTS
- 6 PLATFORMS
- 8 CONTROLLERS
- 16 ROOF
- 38 DRIVER
- 50 SNOWPLOUGH FRONT
- 50A SNOWPLOUGH SIDES
- MECHANISM 12V DC.
- WIRE
- TRANSFERS
- GLAZING



UNDERSIDE OF PLATFORM  
SHOWING SNOWPLOUGH

**LCC/LT SNOWPLOUGH**  
**BEC TRAM KITS** Series 2  
 10 TOTTING BEC ROAD, LONDON SW17 8 DD.  
 Scale 4mm = 1'0" N°0